

3/4 Rock and Roll Bed

Side view bed

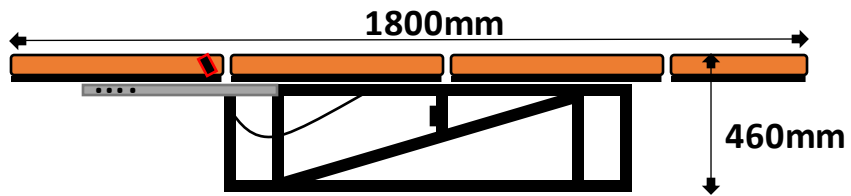


Fig A

Side view seat

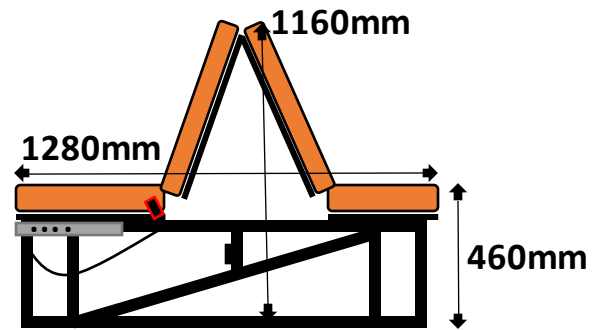


Fig B

Top view bed

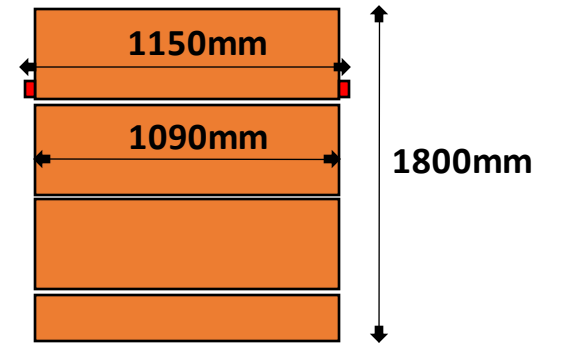


Fig C

Total seat mass 110kg

Frame manufactured using s275 grade steel, fully power coated

M1 tested - ECE regulation 14.09 and directive 76/115/EEC (as amended by 2005/41/EC)

3-point seat belts Ar4m E4

Foam used on cushion bases 75mm and density of 33H

Width of bed 1090mm (Fig c)

Total width of bed 1150 (Fig c) including seat belt buckles

M1 Certification supplied with every bed